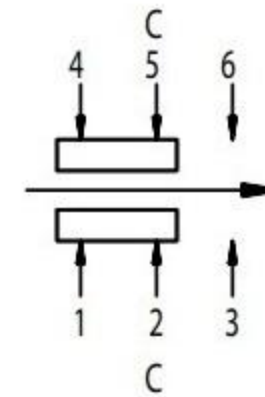
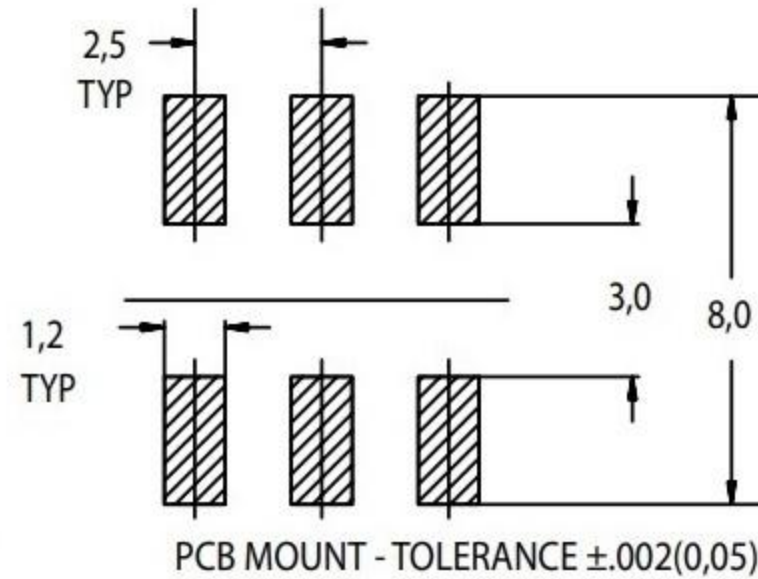
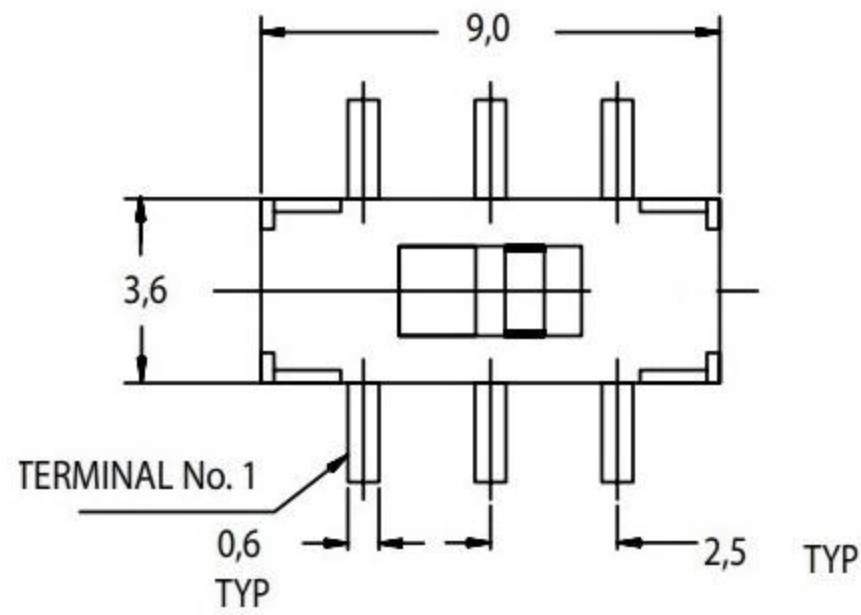
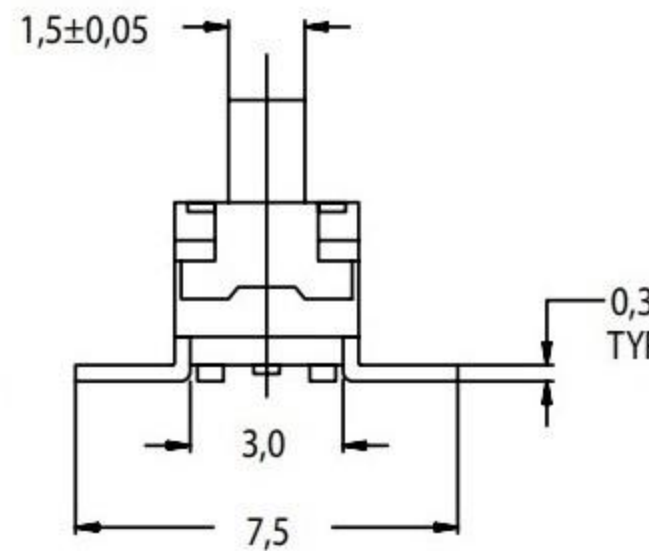
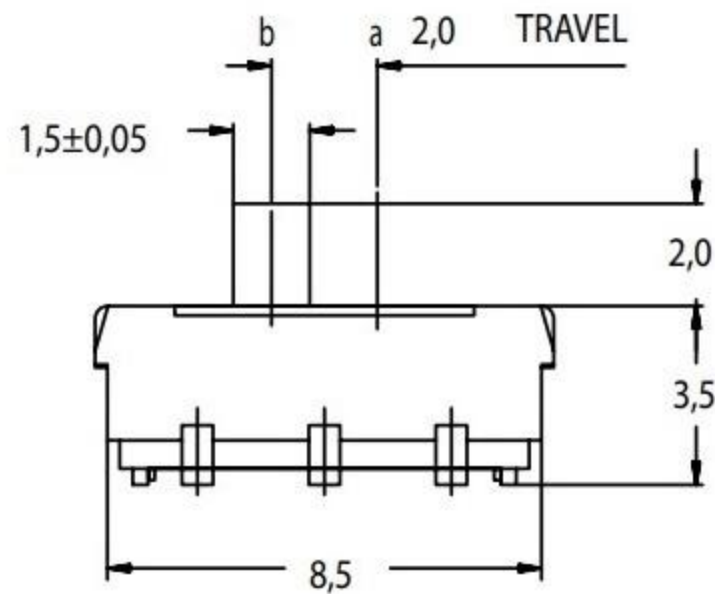


CAD FILE:



Shown in position b



拨动开关技术参数:

1. 额定负荷: DC 30V 50V 0.3A 0.5A
2. 接触阻抗: $\leq 50m\Omega$
3. 绝缘阻抗: $\geq 100m\Omega$ DC500V
4. 耐焊温度: $250\pm 5^\circ$ 5s
5. 使用寿命: 10,000 cycles
6. 使用温度: -25°C to 80°C
7. 使用湿度: $\leq 85\%$ RH
8. 操作力: 160gf 256gf 300gf 可定制

NO.	PARTS	MATERIALS	QTY	FINISH	TOLERANCE UNLESS SPECIFIED				
8					WITHIN OVER				
7	STEEL BALL	STEEL	1	NATURAL	A 2012-12-25				
6	SPRING	STEEL WIRE	1	NATURAL	初板				
5	CONTACT CLIP	PBS STRIP	2	Ag PLATED	ISSUE	DATE	DESCRIPTIONS OF REVISION	APPD	
4	TERMINAL	BRASS STRIP	10	Ag PLATED	TITLE: HORIZONTAL SLIDE SWITCH			UNIT : mm	
3	BASE	PHENOLIC RESIN	1	BLACK	MODEL:			SCALE: 2:1	
2	FRAME	STEEL STRIP	1	Ni PLATED	东莞市高迪电子有限公司			DWN	2012-12-25
1	KNOB	POM	1	BLACK				CHK'D	2012-12-25
					APPD		2012-12-25		